



Fly Screens for Business



Roller Screen & Sliding Twin Screens in a food prep area

Fly screens for all areas that manufacture, prepare, pack, serve or distribute food

All commercial screens meet the Food Safety General Hygiene Regulations
1995 - Schedule 1, Chapter 2, Paragraph D

www.windowsscreensuk.co.uk



Welcome to our Catalogue

We've organised this catalogue so you can easily browse our range of Fly Screens to find the products which best suit your requirements.

All screens are supplied as self-assembly kits, which you cut to size, assemble and install. Kits come with full instructions and if you need assistance we're only a phone call away!

We also offer a 'Pre Made' service - for an additional charge we make your screens and send them to you ready to fit.

When you're ready to order, there are a number of options:

- **Online at** www.windowcreensuk.co.uk
- **Phone 01628 481919** - we will take your order details and Debit/Credit Card payment.
- **Fax** your order to - **05601 135847** - we will contact you to arrange payment.
- **Post** your order to the following - we will contact you to arrange payment.

Window Screens UK
Unit S, Rose Business Estate
Marlow Bottom Road
Marlow
Buckinghamshire
SL7 3ND

Orders for self-assembly kits will be dispatched within 3 working days for payment by debit or credit card, or five working days for cheques.

Orders for pre-made screens will be dispatched within 2 to 3 weeks of payment being received.

Prices shown are for self-assembly kits, and include VAT and delivery to mainland UK (excluding Highlands & Islands*).

* Highlands and Islands of Scotland, Isle of Man, Northern Ireland, Channel Islands

Contents

Fly Screens for Business

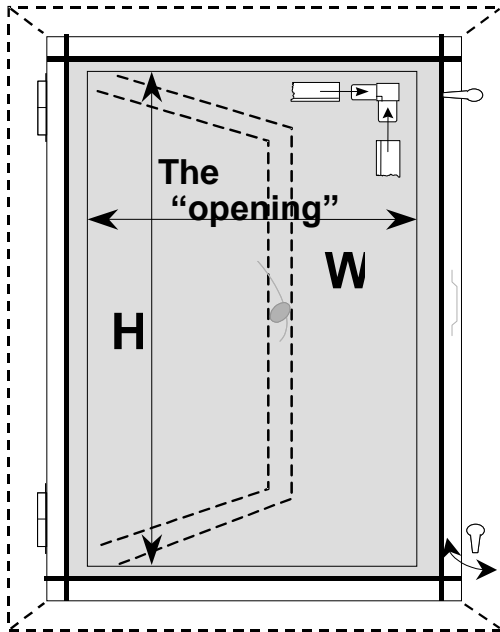
4. Framed Fly Screen for Windows – Budget (Hinged or Fixed)
5. Framed Fly Screen for Windows – Standard (Hinged or Fixed)
6. Framed Fly Screen for Windows – Premium (Hinged or Fixed)
7. Roller Fly Screen for Windows
10. Single Sliding Fly Screen for Windows
11. Twin Sliding Fly Screens for Windows
12. Fixed Panel Fly Screen for Windows
13. Hinged Fly Screen for Single Doors
14. Hinged Fly Screens for Double Doors
15. Fly Screen Chain Curtain
16. PVC Plastic Strip Curtain – 200x2 with Hook On Fixings
17. PVC Plastic Strip Curtain – 300x3 with Hook On Fixings & Bolt On Fixings

Additional Information

19. How to Size
 - Measuring a Window Opening
 - Measuring a Reveal
20. How to Measure – Roller Screen for Windows
21. Windows with Rod & Peg (Stays)
22. Fixed Fly Screen Option
23. Frequently Asked Questions
24. Terms and Conditions

Framed Fly Screen for Windows - Budget (Hinged or Fixed)

Available as self-assembly kits or pre-made screens
Please call 01628 481919 for pre-made prices



Please see page 15 for information on how to size screens

SCREENS COMPLY WITH FOOD SAFETY REGULATIONS

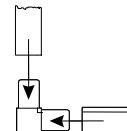
DISCOUNT AVAILABLE for orders of 2 or more screens

Kit	Description	Makes 1 screen for openings up to	Standard Insect Mesh*		Midge Mesh*		Stainless Steel Mesh*	
			1	2+	1	2+	1	2+
040S	Small	760x380mm (30"x15")	£35	£28	£38	£31	£39	£32
042S	Large	1145x760mm (45"x30")	£45	£36	£54	£45	£56	£47
044S	Jumbo	1485x860mm (58.4"x33.8")	£60	£48	£73	£61		
046S	Super Jumbo	2000x1140mm (78½"x45")	£75	£60	£91	£76		

* Prices shown are for self-assembly kits, and include VAT and delivery to the UK (ex. Highlands & islands)

KEY FEATURES:

- Lightweight aluminium frame, powder coated in white or brown
- Frame is just 19mm (3/4") wide x 11mm (7/16") deep - small enough to fit behind blinds
- Top or side hinging - you choose while installing your screen
- Colour co-ordinated frames and fixings
- Full instructions for assembly and installation
- To make simply cut the frame and slot into corners for easy assembly >>



FIXING OPTIONS:

- HT** Lift-on, lift-off hinge with turn button closures
M Magnetic strips, one fixed to the screen, the other to the window frame (both self-adhesive)
T Turn button catches which hold the screen in a fixed position

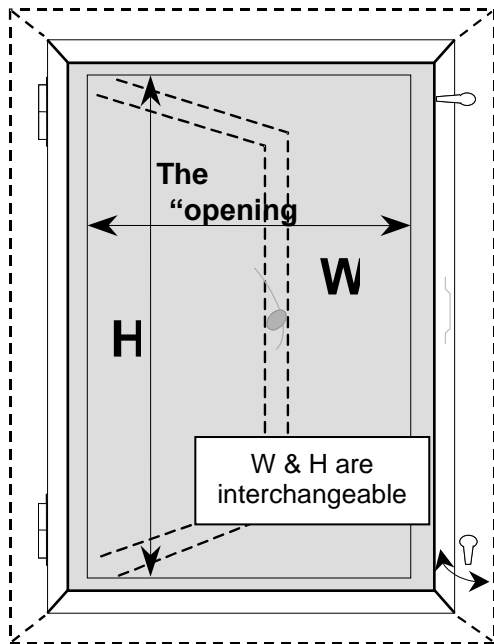
MESH OPTIONS:

- Standard Insect Mesh** - keeps out flies, wasps, mosquitoes and other unwanted insects
Midge Mesh - a fine mesh to deal with the specific problem of midges
Stainless Steel Mesh - for maximum strength

If you can't find a kit to match your requirements, please call 01628 481919 - we can usually create a custom kit that delivers a solution at a good price.

Framed Fly Screen for Windows - Standard (Hinged or Fixed)

Available as self-assembly kits or pre-made screens
Please call 01628 481919 for pre-made prices



Please see page 15 for information
on how to size screens

**SCREENS COMPLY WITH
FOOD SAFETY REGULATIONS**

**DISCOUNT AVAILABLE
for orders of 2 or more screens**

Kit	Description	Makes 1 screen for openings up to	Standard Insect Mesh*		Midge Mesh*		Stainless Steel Mesh*	
			1	2+	1	2+	1	2+
030S	Small	760x380mm (30"x15")	£50	£40	£53	£43	£54	£44
032S	Large	1145x760mm (45"x30")	£60	£48	£69	£57	£71	£59
034S	Jumbo	1485x860mm (58.4"x33.8")	£75	£60	£88	£73	£91	£76
036S	Super Jumbo	2000x1140mm (78.5"x45")	£90	£72	£106	£88	£110	£92

* Prices shown are for self-assembly kits, and include VAT and delivery to the UK (ex. Highlands & islands)

KEY FEATURES:

- Strong extruded aluminium frame, powder coated in white or brown
- Frame is 23mm (7/8") wide x 12mm (1/2") deep
- Mitred corners with hidden steel "L" inserts, for strength and shape retention
- Top or side hinging - you choose while installing your screen
- Colour co-ordinated frames and fixings
- Full instructions for assembly and installation

FIXING OPTIONS:

- HT** Lift-on, lift-off hinge with turn button closures
M Magnetic strips, one fixed to the screen, the other to the window frame (both self-adhesive)
T Turn button catches which hold the screen in a fixed position

MESH OPTIONS:

Standard Insect Mesh - keeps out flies, wasps, mosquitoes and other unwanted insects

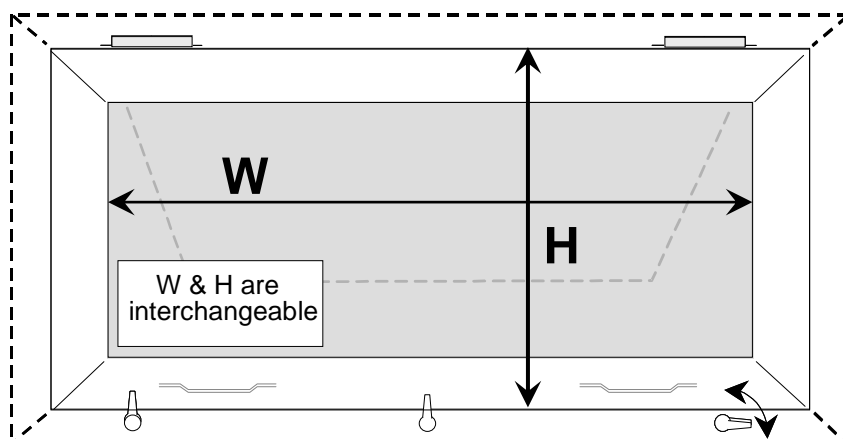
Midge Mesh - a fine mesh to deal with the specific problem of midges

Stainless Steel Mesh - for maximum strength

If you can't find a kit to match your requirements, please call 01628 481919 - we can usually create a custom kit that delivers a solution at a good price.

Framed Fly Screen for Windows - Premium (Hinged or Fixed)

Available as self-assembly kits or pre-made screens
Please call 01628 481919 for pre-made prices



10 YEAR GUARANTEE
on frame and corners

**SCREENS COMPLY WITH
FOOD SAFETY REGULATIONS**

DISCOUNT AVAILABLE
for orders of 2 or more screens

Kit	Description	Makes 1 screen	Standard Insect Mesh*		Midge Mesh*		Stainless Steel Mesh*	
			1	2+	1	2+	1	2+
052S	Small	Combined W + H dimensions can be up to 1135mm (48.5")	£70	£56	£79	£65	£81	£67
050S	Medium	Combined W + H dimensions can be up to 2270mm (89.4")	£90	£72	£106	£88	£110	£92
056S	Large	For openings up to 2270x1135mm (89.4"x48.5")	£110	£88	£129	£107	£134	£112

* Prices shown are for self-assembly kits, and include VAT and delivery to the UK (ex. Highlands & islands)

KEY FEATURES:

- Heavy duty aluminium frame, powder coated in white or brown
- Frame is 41mm (1 5/8") wide x 13mm (1/2") deep
- Mitred corners with hidden steel "L" inserts, for strength and shape retention
- Top or side hinging - you choose while installing your screen
- Colour co-ordinated frames and fixings
- Weather proof for inside/outside use
- Full instructions for assembly and installation
- To make simply cut the frame and slot into corners for easy assembly
- 10 YEAR GUARANTEE on frame and corners

FIXING OPTIONS:

- HT** Lift on lift-off hinge with turn button closures
HM Lift on lift-off hinge with magnetic closure catches
T Turn button catches which hold the screen in a fixed position

MESH OPTIONS:

Standard Insect Mesh - keeps out flies, wasps, mosquitoes and other unwanted insects

Midge Mesh - a fine mesh to deal with the specific problem of midges

Stainless Steel Mesh - for maximum strength

If you can't find a kit to match your requirements, please call 01628 481919 - we can usually create a custom kit that delivers a solution at a good price.

Roller Fly Screen for Windows

A single roller blind style fly screen, which pulls vertically to cover the opening.

Pull down when needed and release when finished – the screen retracts automatically.



These screens can either be used to seal off the whole of the reveal/recess or to screen individual opening windows.

Supplied pre cut and ready to fit. Once you've measured your window (refer to page 22), match the dimensions with the table on the next page. Width and height refer to the total size of the finished screen (including face fitting brackets and closure channel if required). Accurate dimensions will be required when ordering, as the screens will be cut to these sizes.

KEY FEATURES:

- Quick and easy installation
- High quality low profile aluminium cassette for stylish finish in white with white fittings or brown with black fittings
- Depth of cassette (front to back) = 41mm, with height (top to bottom) = 51mm
- Aluminium side guides with reverse brush system to hold the mesh in place = 22mm deep and 40mm wide
- Fitted with either standard insect mesh (18x16 holes per square inch) or midge mesh (30x20 holes per square inch). Both meshes are charcoal.
- Weather proof for inside/outside use
- Choice of fixings to allow for reveal or face fitting
- Full instructions for assembly and installation
- 12 MONTH WARRANTY on moving parts and mesh
- For screens that close down onto the window sill, the lower frame of the screen has a special pile and there are adjustable locking mechanisms to ensure a complete seal.
- If you need your screen to close against the frame, eg. where the top pane opens, but the bottom is fixed, then the screen is held closed with a magnetic strip, encased in a small track (known as a 'closure channel')

Roller Fly Screen for Windows ... cont.

SIZE OF THE FINISHED SCREEN (inc. Face Fitting Brackets and Closure Channels if req.)	INSECT MESH		MIDGE MESH	
	KIT	PRICE *	KIT	PRICE *
Up to Width 800mm x Height 800mm (31½" x 31½")	600	£65.00	600M	£90.00
Up to Width 800mm x Height 1200mm (31½" x 46¼")	605	£75.00	605M	£100.00
Up to Width 800mm x Height 1600mm (31½" x 63")	610	£85.00	610M	£110.00
Up to Width 800mm x Height 2000mm (31½" x 78¾")	615	£95.00	615M	N/A
Up to Width 1200mm x Height 800mm (46¼" x 31½")	620	£80.00	620M	£125.00
Up to Width 1200mm x Height 1200mm (46¼" x 46¼")	625	£90.00	625M	£135.00
Up to Width 1200mm x Height 1600mm (46¼" x 63")	630	£100.00	630M	£145.00
Up to Width 1200mm x Height 2000mm (46¼" x 78¾")	635	£110.00	635M	N/A
Up to Width 1600mm x Height 800mm (63" x 31½")	640	£110.00	640M	£160.00
Up to Width 1600mm x Height 1200mm (63" x 46¼")	645	£115.00	645M	£170.00
Up to Width 1600mm x Height 1600mm (63" x 63")	650	£120.00	650M	£180.00
Up to Width 1600mm x Height 2000mm (63" x 78¾")	655	£125.00	655M	N/A
Up to Width 2000mm x Height 800mm (78¾" x 31½")	660	£125.00	660M	£195.00
Up to Width 2000mm x Height 1200mm (78¾" x 46¼")	665	£130.00	665M	£205.00
Up to Width 2000mm x Height 1600mm (78¾" x 63")	670	£135.00	670M	£215.00
Up to Width 2000mm x Height 2000mm (78¾" x 78¾")	675	£140.00	675M	N/A

* Prices shown include VAT and delivery to the UK (ex. Highlands & islands)

MESH OPTIONS:

Standard Insect Mesh - keeps out flies, wasps, mosquitoes and other unwanted insects

Midge Mesh - a fine mesh to deal with the specific problem of midges

FITTING INTO A REVEAL/RECESS:

If the screen is to be fitted to seal off the whole of the reveal/recess, then the pricing above includes all the fixings required, including a special pile and adjustable locking mechanisms and to ensure a complete seal against the window sill.

Roller Fly Screen for Windows ... cont.

ADDITIONAL FIXINGS:

Face Fitting Brackets are required if you are fitting directly on to the window frame.

Face fitting brackets cost £2.80 each. We recommend 2 face fitting brackets are used for screens up to a width of 1200mm and 3 brackets for wider screens.



Closure Channels are required if the screen does not reach down as far as the window sill, e.g. where the top pane opens, but the bottom is fixed, then the screen is held closed with a magnetic strip, encased in a small track (known as a 'closure channel')

The cost of the Closure Channel is dependent on the width of the screen.

WIDTH	CLOSURE CHANNELS
Up to Width 800mm (31½")	£7.50
Up to Width 1200mm (46¼")	£12.50
Up to Width 1600mm (63")	£17.50
Up to Width 2000mm (78¾")	£22.50

If you can't find a screen to match your requirements, please call 01628 481919 - we can usually create a custom kit that delivers a solution at a good price.

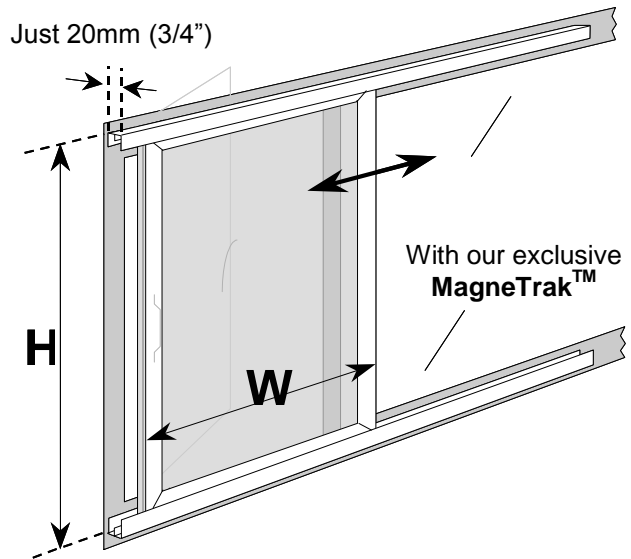
Single Sliding Fly Screen for Windows

Available as self-assembly kits or pre-made screens
Please call 01628 481919 for pre-made prices

Ideal for commercial kitchens

**SCREENS COMPLY WITH
FOOD SAFETY REGULATIONS**

10 YEAR GUARANTEE
on frame, corners & track



Kit	Description	Makes 1 sliding screen to cover a window where;	Standard Insect Mesh*	Midge Mesh*	Stainless Steel Mesh*
090C	Small	H = 1675mm (66") MAX W = 1220mm (48") MAX H+W must not exceed 2440mm (96")	£116	£129	£132
092C	Large	H = 2440mm (96") MAX W = 1220mm (48") MAX	£136	£155	£160

* Prices shown are for self-assembly kits, and include VAT and delivery to the UK (ex. Highlands & islands)

KEY FEATURES:

- Strong aluminium frames, powder coated in white or brown
- Frame is 41mm (1 5/8") wide x 13mm (1/2") deep
- Mitred corners with hidden steel "L" inserts, for strength and shape retention
- Solid aluminium upper and lower tracks, depth (front to back) - 20mm (3/4")
- Fly screen slides in upper and lower tracks, which fit flush against the window frame surfaces
- Protruding window handles avoided as the screen slides aside for the window to close
- Fluffy pile seals on vertical edges of screen panel
- MagneTrak™ and screen panel can be removed and reinstalled in seconds
- Full instructions for assembly and installation
- 10 YEAR GUARANTEE on frame, corners and track

TRACK FIXING OPTIONS:

The lower **MagneTrak™** fixes to the sill using two strong magnetic strips. These hold the track in place without screws and provide an easy, and rapid installation. The upper track fixes with screws (supplied) to the reveal ceiling but in most situations, can be fixed in place with double-sided tape. Alternatively, both tracks can also be "Face Fitted" directly onto the window frame with screws (supplied).

MESH OPTIONS:

Standard Insect Mesh - keeps out flies, wasps, mosquitoes and other unwanted insects

Midge Mesh - a fine mesh to deal with the specific problem of midges

Stainless Steel Mesh - for maximum strength

If you can't find a kit to match your requirements, please call 01628 481919 - we can usually create a custom kit that delivers a solution at a good price.

Twin Sliding Fly Screens for Windows

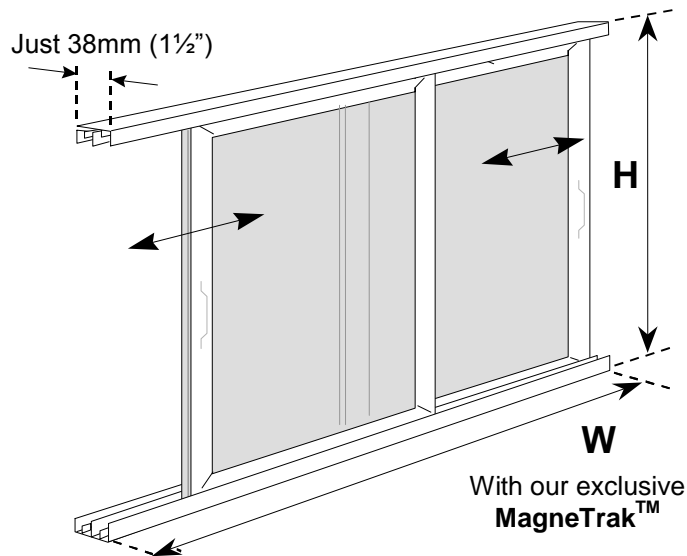
Available as self-assembly kits or pre-made screens
Please call 01628 481919 for pre-made prices

Fixes inside the reveal
100% handle avoidance

Ideal for commercial kitchens

**SCREENS COMPLY WITH
FOOD SAFETY REGULATIONS**

10 YEAR GUARANTEE
on frame, corners & track



Kit	Description	Makes 2 sliding screens to fit a reveal up to:	Standard Insect Mesh*	Midge Mesh*	Stainless Steel Mesh*
060C	Small	H = 1240mm (48 ³ / ₄ ") MAX W = 1200mm (47 ¹ / ₄ ") MAX	£138	£147	£149
062C	Large	H = 1675mm (66") MAX W = 2420mm (95 ¹ / ₄ ") MAX (¹ / ₂ W+H) must not exceed 2440mm (96")	£195	£220	£226
063C	Extra Large	H = 2440mm (96") MAX W = 2420mm (95 ¹ / ₄ ") MAX	£224	£263	£273

* Prices shown are for self-assembly kits, and include VAT and delivery to the UK (ex. Highlands & islands)

KEY FEATURES:

- Strong aluminium frames, powder coated in white or brown
- Frame is 41mm (1 5/8") wide x 13mm (1/2") deep
- Mitred corners with hidden steel "L" inserts for strength & shape retention
- Fly screens slide past each other in twin tracks, depth (front to back) - 38mm (1 1/2")
- Fits inside the window reveal, tracks fix to the upper and lower reveal surfaces, enabling the screen to be brought forward of obstructions
- Flexible PVC seals on vertical edges of screens ensure a good seal with side walls
- MagneTrak™ and screen panels can be removed and reinstalled quickly
- Full instructions for assembly and installation
- 10 YEAR GUARANTEE on frame, corners, and track

TRACK FIXING OPTIONS:

The lower **MagneTrak™** uses strong magnetic strips spanning the track width. These hold the track in place with a solid grip and provide an easy, rapid installation. The MagneTrak™ and fly screen panels can be removed and replaced with ease. The upper tracks fix with screws (supplied) but, in most situations, can be fixed in place with double-sided tape. If tape is used, the installation becomes entirely "screwless" and very rapid - especially good for tiles.

MESH OPTIONS:

Standard Insect Mesh - keeps out flies, wasps, mosquitoes and other unwanted insects

Midge Mesh - a fine mesh to deal with the specific problem of midges

Stainless Steel Mesh - for maximum strength

If you can't find a kit to match your requirements, please call 01628 481919 - we can usually create a custom kit that delivers a solution at a good price.

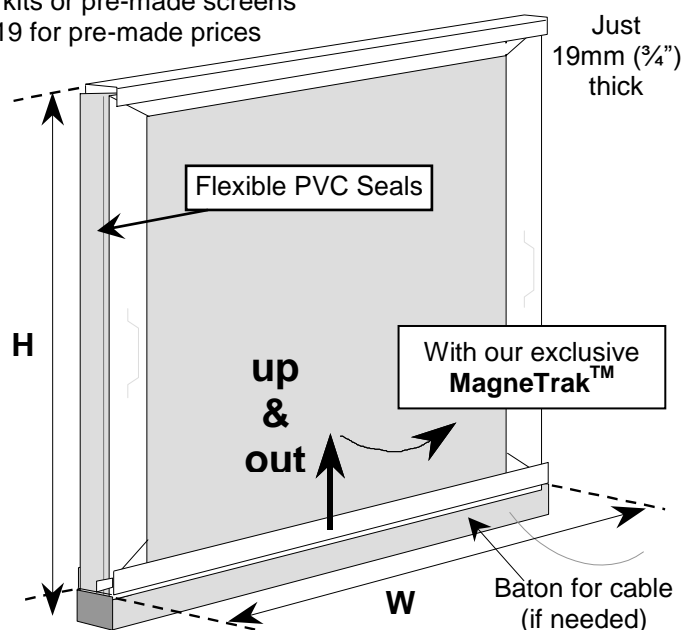
Fixed Panel Fly Screen for Windows

Available as self-assembly kits or pre-made screens
Please call 01628 481919 for pre-made prices

Fixes inside the **H** x **W** window reveal. The window hardware is avoided. Especially suitable for cable operated windows where constant access for hand opening is not required. A baton across your reveal bottom sill or up a side-wall may need to be added as shown, through which the cable is routed and sealed. The track then fixes to the top of the lower baton.

**SCREENS COMPLY WITH
FOOD SAFETY REGULATIONS**

10 YEAR GUARANTEE
on frames & corners



Kit	Description	Makes 1 screen panel to fit an aperture up to: (Plus baton height, if any)	Standard Insect Mesh*	Midge Mesh*	Stainless Steel Mesh*
064	Small	H = 1675mm (66") MAX** W = 1220mm (48") MAX** H+W must not exceed 2440mm (96")	£104	£117	£120
068	Large	H = 1220mm (48") MAX** W = 2440mm (96") MAX** W & H are interchangeable	£140	£159	£164

* Prices shown are for self-assembly kits, and include VAT and delivery to the UK (ex. Highlands & islands)

KEY FEATURES:

- Strong aluminium frames, powder coated in white or brown
- Frame is 41mm (1 5/8") wide x 13mm (1/2") deep
- Mitred corners with hidden steel "L" inserts for strength & shape retention
- Fly screen fits into twin upper and lower tracks, depth (front to back) – 19mm (3/4")
- Fits inside the window reveal, tracks fix to the upper and lower reveal surfaces, enabling the screen to be brought forward of obstructions
- Flexible PVC seals on vertical edges of screens ensure a good seal with side walls
- Full instructions for assembly and installation
- 10 YEAR GUARANTEE on frame, corners, and track

TRACK FIXING OPTIONS:

The lower **MagneTrak™** uses four strong magnetic strips. These hold the track in place with a solid grip and provide an easy, rapid installation. The MagneTrak™ and fly screen panels can be removed and replaced with ease. The upper tracks fix with screws (supplied) but, in most situations, can be fixed in place with double-sided tape. If tape is used, the installation becomes entirely "screwless" and very rapid - especially good for tiles.

MESH OPTIONS:

Standard Insect Mesh - keeps out flies, wasps, mosquitoes and other unwanted insects

Midge Mesh - a fine mesh to deal with the specific problem of midges

Stainless Steel Mesh - for maximum strength

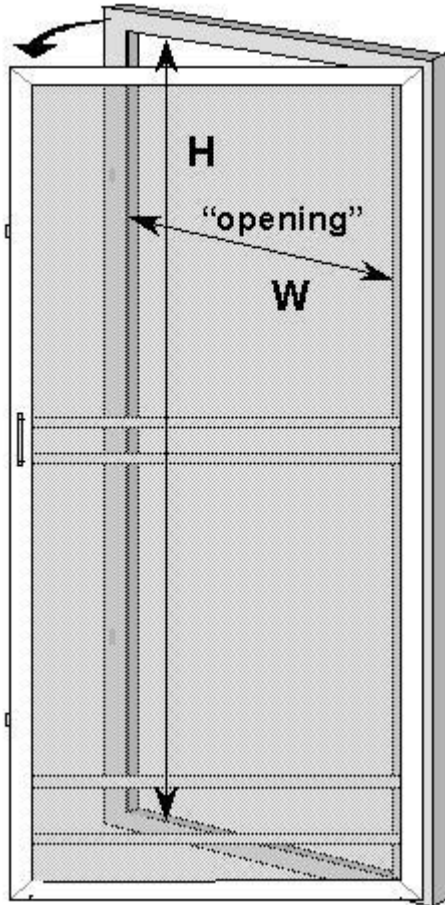
If you can't find a kit to match your requirements, please call 01628 481919 - we can usually create a custom kit that delivers a solution at a good price.

Hinged Fly Screen for Single Doors

Available as a self assembly kit or pre-made screen
Please call 01628 481919 for pre-made prices

Kit	Description	To fit walk-through openings of up to	Standard Insect Mesh*	Midge Mesh*	Stainless Steel Mesh*
080	Standard	H = 2400mm (94½") W = 1180mm (46½")	£147	£166	£171

* Prices shown are for self-assembly kits, and include VAT and delivery to the UK (ex. Highlands & islands)



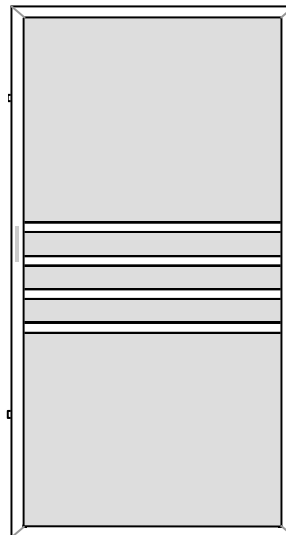
KEY FEATURES:

- Strong aluminium frames, powder coated in white or brown
- Frame is 41mm (1 5/8") wide x 13mm (1/2") deep
- Mitred corners with hidden steel "L" inserts for strength & shape retention
- Strong extruded aluminium X-bars - 20mm x 20mm (3/4" x 3/4")
- Lift-off hinges for easy removal and replacement
- Magnetic closure catches top and bottom (6kg pull)
- Opens 180 degrees if desired
- Weather proof for inside/outside use
- Full instructions for assembly and installation
- 5 YEAR GUARANTEE on frame, corners and X-bars

Your door frame to the left and right must be at least 35mm (1.4") wide to allow room for the fly screen door overlap, hinges and magnetic catches.

This Kit can accommodate an entry door handle that protrudes up to 12mm (½") beyond the entry door frame. Protrusions beyond that require a sub-frame to move the screen door away.

Kits have 4 strong, extruded aluminium 20 x 20mm (¾"x¾") X-Bars. They can be fixed in any horizontal positions you wish, such as those shown.



**SCREENS COMPLY WITH
FOOD SAFETY REGULATIONS**

5 YEAR GUARANTEE
on frames & corners

MESH OPTIONS:

Standard Insect Mesh - keeps out flies, wasps, mosquitoes and other unwanted insects

Midge Mesh - a fine mesh to deal with the specific problem of midges

Stainless Steel Mesh - for maximum strength

If you can't find a kit to match your requirements, please call 01628 481919 - we can usually create a custom kit that delivers a solution at a good price.

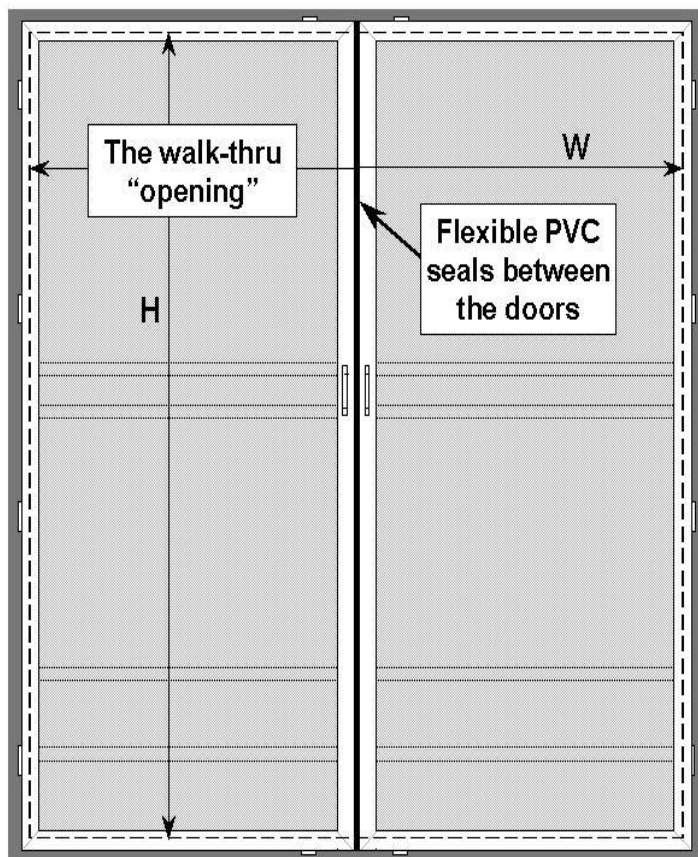
Hinged Fly Screens for Double Doors

Available as a self assembly kit or pre-made screen

Please call 01628 481919 for pre-made prices

Kit	Description	Makes 2 doors for openings up to	Standard Insect Mesh*	Midge Mesh*	Stainless Steel Mesh*
084	Standard	H = 2400mm (94½") W = 2400mm (94½")	£260	£298	£309

* Prices shown are for self-assembly kits, and include VAT and delivery to the UK (ex. Highlands & islands)



SCREENS COMPLY WITH FOOD SAFETY REGULATIONS

Your door frame to the left and right must be at least 35mm (1.4") wide to allow room for the flyscreen door overlap, hinges and magnetic catches.

This Kit can accommodate an entry door handle that protrudes up to 12mm (½") beyond the entry door frame. Protrusions beyond that require a sub-frame to move the screen door away.

Kits have 4 strong, extruded aluminium 20 x 20mm (¾"x¾") X-Bars. They can be fixed in any horizontal positions you wish, such as those shown.

5 YEAR GUARANTEE
on frame, corners & X-bars

KEY FEATURES:

- Strong aluminium frames, powder coated in white or brown
- Frame is 41mm (1 5/8") wide x 13mm (½") deep
- Mitred corners with hidden steel "L" inserts for strength & shape retention
- Strong extruded aluminium X-bars - 20mm x 20mm (¾" x ¾")
- Lift-off hinges for easy removal and replacement
- Magnetic closure catches top and bottom (6kg pull)
- Opens 180 degrees if desired
- Weather proof for inside/outside use
- Full instructions for assembly and installation
- 5 YEAR GUARANTEE on frame, corners and X-bars

MESH OPTIONS:

Standard Insect Mesh - keeps out flies, wasps, mosquitoes and other unwanted insects

Midge Mesh - a fine mesh to deal with the specific problem of midges

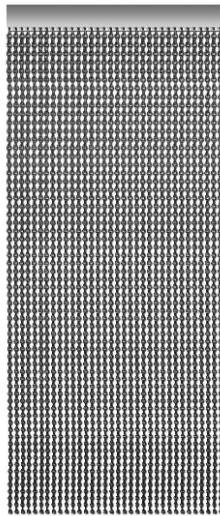
Stainless Steel Mesh - for maximum strength

If you can't find a kit to match your requirements, please call 01628 481919 - we can usually create a custom kit that delivers a solution at a good price.

Fly Screen Chain Curtain

Aluminium chain curtains are designed to be suspended from the top of a door and act as a barrier to prevent flying insects from entering.

The 2mm diameter silver chains are anodised to prevent corrosion and rusting.



Supplied pre-cut and ready to fit. Once you've measured your door, match the dimensions with a kit number. Width and Drop refer to the dimensions of the curtain.

Size	Kit	Price*
Up to - Width 800mm x Drop 2000mm	Kit 200	£100.00
Up to - Width 800mm x Drop 2400mm	Kit 205	£115.00
Up to - Width 1000mm x Drop 2000mm	Kit 210	£115.00
Up to - Width 1000mm x Drop 2400mm	Kit 215	£135.00
Up to - Width 1200mm x Drop 2000mm	Kit 220	£135.00
Up to - Width 1200mm x Drop 2400mm	Kit 225	£160.00
Up to - Width 1400mm x Drop 2000mm	Kit 230	£160.00
Up to - Width 1400mm x Drop 2400mm	Kit 235	£185.00
Up to - Width 1600mm x Drop 2000mm	Kit 240	£185.00
Up to - Width 1600mm x Drop 2400mm	Kit 245	£210.00
Up to - Width 1800mm x Drop 2000mm	Kit 250	£210.00
Up to - Width 1800mm x Drop 2400mm	Kit 255	£235.00
Up to - Width 2000mm x Drop 2000mm	Kit 260	£235.00
Up to - Width 2000mm x Drop 2400mm	Kit 265	£260.00
Up to - Width 2200mm x Drop 2000mm	Kit 270	£260.00
Up to - Width 2200mm x Drop 2400mm	Kit 275	£285.00
Up to - Width 2400mm x Drop 2000mm	Kit 280	£285.00
Up to - Width 2400mm x Drop 2400mm	Kit 285	£310.00

* Prices shown include VAT and delivery to mainland UK addresses (ex. Highlands & islands)

If you can't find a kit to match your requirements, please call 01628 481919 - we can usually create a custom kit that delivers a solution at a good price.

PVC Plastic Strip Curtain

PVC plastic strip curtains are ideal for maintaining an ambient temperature for your warehouse or cold store, keeping out unwanted pests, restricting the movement of air pollutants or isolating noisy machinery offering the most economical solution to protect employees and goods from adverse environmental conditions such as noise, heat, cold, humidity, dust and drafts.



Supplied pre-cut and ready to fit. Once you've measured your door, match the dimensions with a kit number. Width and Drop refer to the dimensions of the curtain.

HOOK ON - 200 x 2 Strips

This screen comes with 'hook on' type fixings and polycarbonate hanging plates to provide a screen with partially overlapping strips.

Size	Kit	Price*
Up to - Width 800mm x Drop 2000mm	Kit 300	£75.00
Up to - Width 800mm x Drop 2400mm	Kit 305	£80.00
Up to - Width 1000mm x Drop 2000mm	Kit 310	£90.00
Up to - Width 1000mm x Drop 2400mm	Kit 315	£95.00
Up to - Width 1200mm x Drop 2000mm	Kit 320	£105.00
Up to - Width 1200mm x Drop 2400mm	Kit 325	£110.00
Up to - Width 1400mm x Drop 2000mm	Kit 330	£115.00
Up to - Width 1400mm x Drop 2400mm	Kit 335	£120.00
Up to - Width 1600mm x Drop 2000mm	Kit 340	£130.00
Up to - Width 1600mm x Drop 2400mm	Kit 345	£135.00
Up to - Width 1800mm x Drop 2000mm	Kit 350	£140.00
Up to - Width 1800mm x Drop 2400mm	Kit 355	£150.00
Up to - Width 2000mm x Drop 2000mm	Kit 360	£155.00
Up to - Width 2000mm x Drop 2400mm	Kit 365	£160.00
Up to - Width 2200mm x Drop 2000mm	Kit 370	£170.00
Up to - Width 2200mm x Drop 2400mm	Kit 375	£175.00
Up to - Width 2400mm x Drop 2000mm	Kit 380	£180.00
Up to - Width 2400mm x Drop 2400mm	Kit 385	£185.00

* Prices shown include VAT and delivery to mainland UK addresses (ex. Highlands & islands)

If you can't find a kit to match your requirements, please call 01628 481919 - we can usually create a custom kit that delivers a solution at a good price.

PVC Plastic Strip Curtain (cont.)

HOOK ON - 300 x 3 Strips

This screen comes with 'hook on' type fixings and stainless steel hanging plates to provide a screen with partially overlapping strips.

Size	Kit	Price*
Up to - Width 1500mm x Drop 2500mm	Kit 400	£165.00
Up to - Width 1500mm x Drop 3000mm	Kit 405	£180.00
Up to - Width 2000mm x Drop 2500mm	Kit 410	£215.00
Up to - Width 2000mm x Drop 3000mm	Kit 415	£230.00
Up to - Width 2500mm x Drop 2500mm	Kit 420	£270.00
Up to - Width 2500mm x Drop 3000mm	Kit 425	£290.00
Up to - Width 3000mm x Drop 2500mm	Kit 430	£320.00
Up to - Width 3000mm x Drop 3000mm	Kit 435	£345.00
Up to - Width 3500mm x Drop 2500mm	Kit 440	£370.00
Up to - Width 3500mm x Drop 3000mm	Kit 445	£425.00
Up to - Width 4000mm x Drop 2500mm	Kit 450	£445.00
Up to - Width 4000mm x Drop 3000mm	Kit 455	£475.00

* Prices shown include VAT and delivery to mainland UK addresses (ex. Highlands & Islands)

BOLT ON - 300 x 3 Strips

This screen comes with 'bolt on' type fixings to provide a screen with partially overlapping strips.

Size	Kit	Price*
Up to - Width 1500mm x Drop 2500mm	Kit 500	£150.00
Up to - Width 1500mm x Drop 3000mm	Kit 505	£160.00
Up to - Width 2000mm x Drop 2500mm	Kit 510	£190.00
Up to - Width 2000mm x Drop 3000mm	Kit 515	£205.00
Up to - Width 2500mm x Drop 2500mm	Kit 520	£240.00
Up to - Width 2500mm x Drop 3000mm	Kit 525	£260.00
Up to - Width 3000mm x Drop 2500mm	Kit 530	£285.00
Up to - Width 3000mm x Drop 3000mm	Kit 535	£305.00
Up to - Width 3500mm x Drop 2500mm	Kit 540	£325.00
Up to - Width 3500mm x Drop 3000mm	Kit 545	£380.00
Up to - Width 4000mm x Drop 2500mm	Kit 550	£395.00
Up to - Width 4000mm x Drop 3000mm	Kit 555	£425.00

* Prices shown include VAT and delivery to mainland UK addresses (ex. Highlands & Islands)

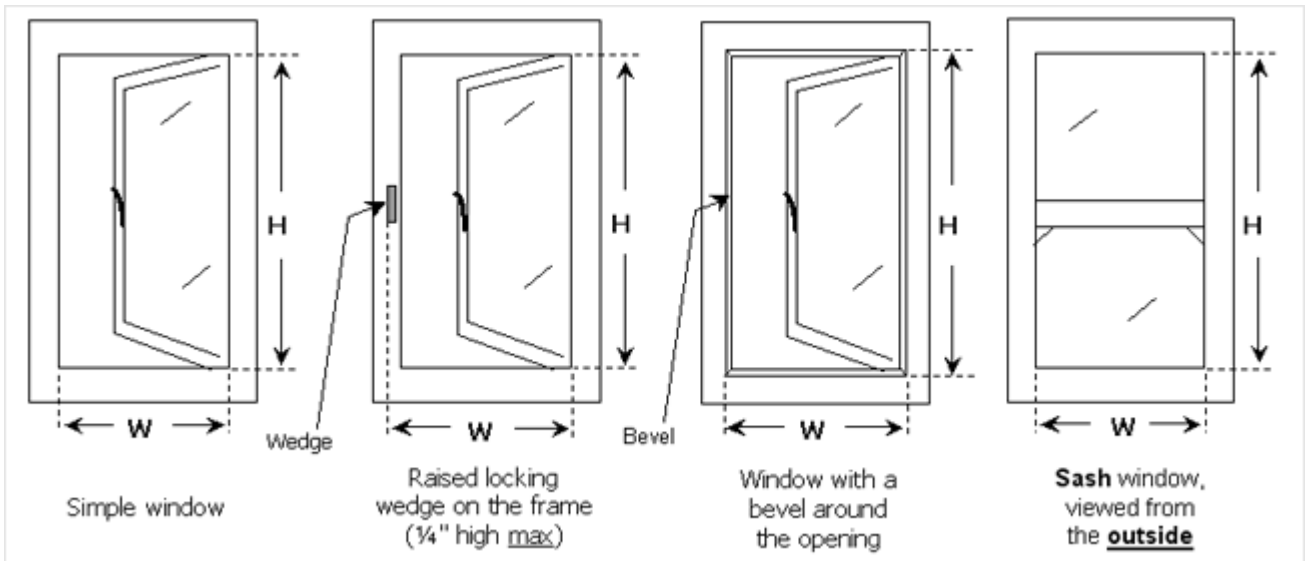
If you can't find a kit to match your requirements, please call 01628 481919 - we can usually create a custom kit that delivers a solution at a good price.

Additional Information

How to Size

Measuring a window opening

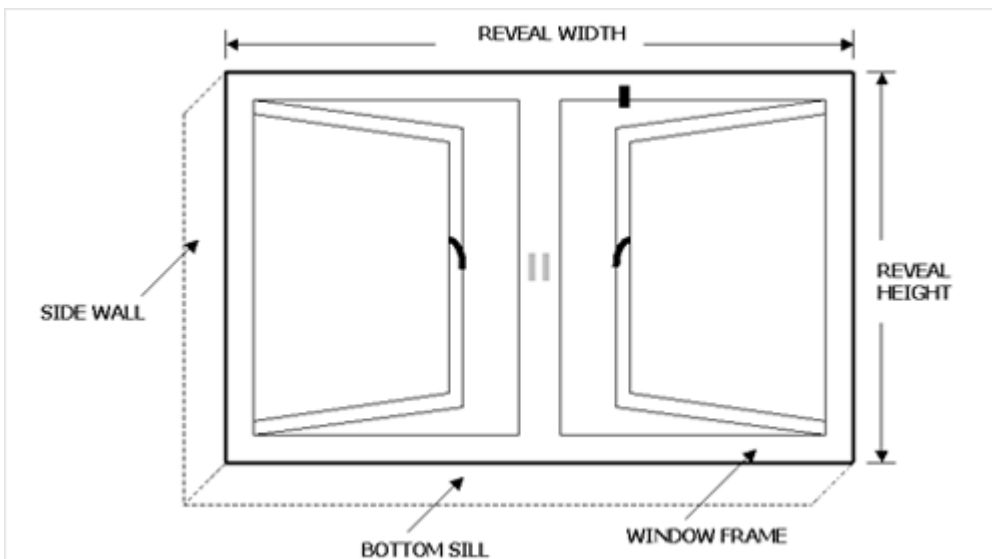
To identify which kit you need, measure the opening of your window i.e. the space left once the window is open – as shown in the diagrams below.



Match these dimensions to a kit e.g. if your measurements are H1140 mm x W730 mm you can use the Large Kit (003) because this will make screens to cover a maximum opening size of H1145 x W760. Please note H and W measurements given with kits are interchangeable.

You will need a smooth continuous [frame] surface surrounding the opening, at least 20mm ($\frac{3}{4}$ " wide, to mount the screens on. If you select the Turn Button fixing, you will need a further 10mm each side of the frame to accommodate these.

Measuring a Reveal



Where kit dimensions relate to a reveal, the measurements you require are W and H shown below. You can then match these measurements to the closest kit.

How to Measure - Reveal/Recess Fitted Roller Fly Screen for Windows

To fit this screen into a reveal you will need to measure the full width and height of the window reveal/recess. These need to be tight measurements to ensure the best fit.

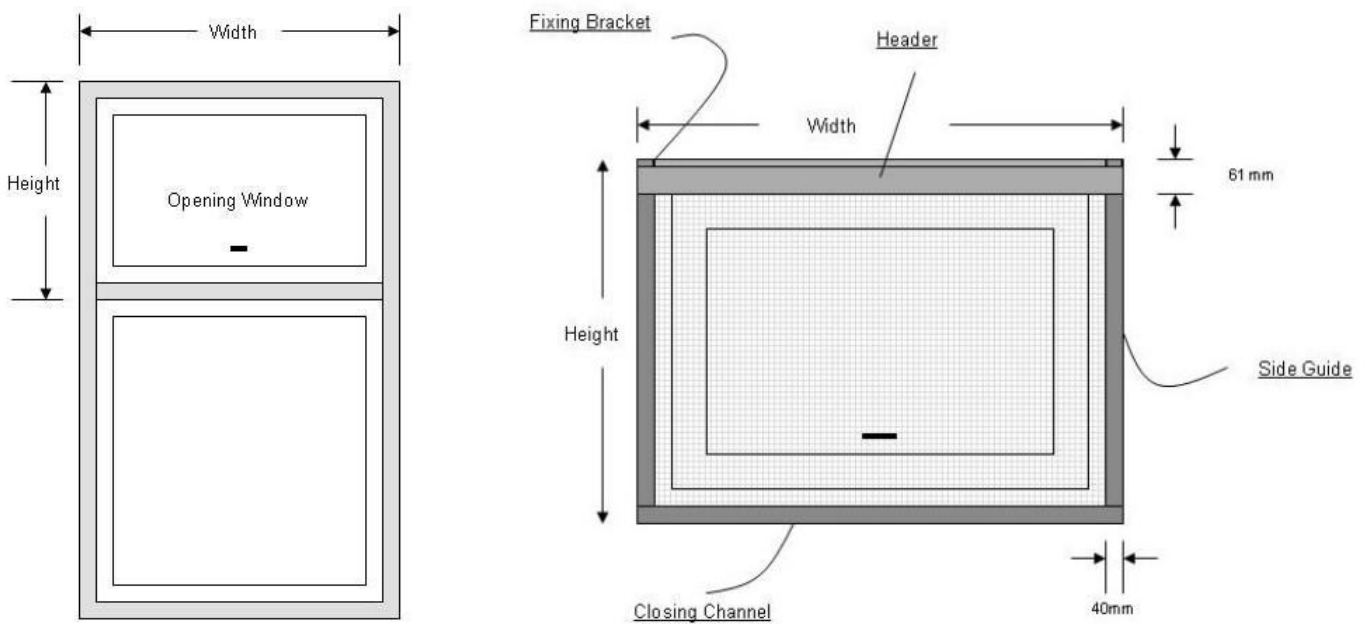
Width - Measure between the two side walls at the top of the reveal - this is where the cassette head will be fitted.

Height - Measure between the underside of the top sill (brick work) and the window sill. Take measurements on the left and right and use the shortest measurement.

Refer to diagram "Measuring a Reveal" on page 21.

Please note: This screen system will accommodate small variances of width from top to bottom and height from left to right. If you have any variances we recommend you contact us before ordering.

How to Measure - Face Fitted Roller Fly Screen for Windows

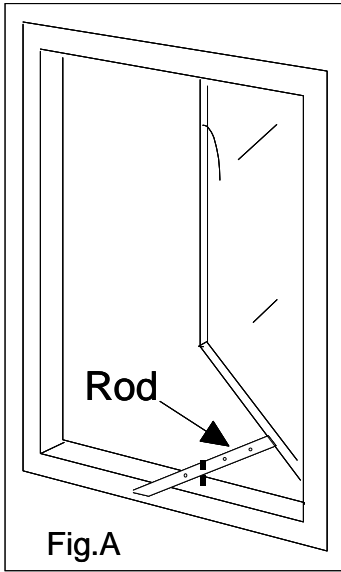


The size we require is the **Height** and **Width** as per both drawings.

We will make your screen to these sizes and make allowances for brackets etc.

Please note: The head cassette with face fitting bracket is 61mm from top to bottom. The side guides are 40mm wide.

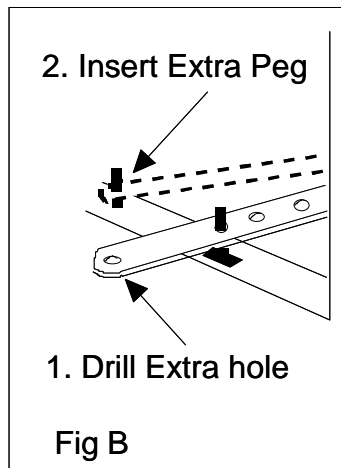
Windows with Rod & Peg (Stays)



Some rod and peg windows require an easy modification to allow screens to fit. If the rod protrudes back into the room beyond the frame when the window is open (as shown in Fig A), the rod will prevent the screen from closing.

The solution in Fig B is simple and well worth doing:

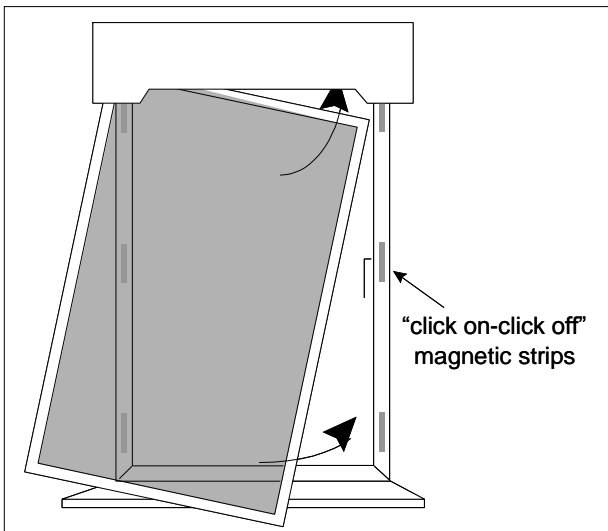
1. Drill an extra peg hole at the very tip of the rod.
2. Optionally, also insert an extra peg(s) along the frame from the existing peg to provide partial opening. For simplicity the extra peg can be a brass screw. After installing the screw, cut off its head with a hacksaw for a finished peg appearance. Alternatively, buy an extra proper peg bracket in a DIY store.



Doing these two things permits the screen to close when the window is fully open using the extra hole, and also when the window is partially open using the new peg(s).

OR

You can screen the entire window recess with either a Roller Fly Screen (page 7) or Twin Sliding Fly Screens (page 10)



PELMETS - BLINDS CURTAINS ETC

Windows with a pelmet or other covering that makes a hinged screen impractical can be easily screened using our **100% MAGNETIC "click on-click off"** screens.

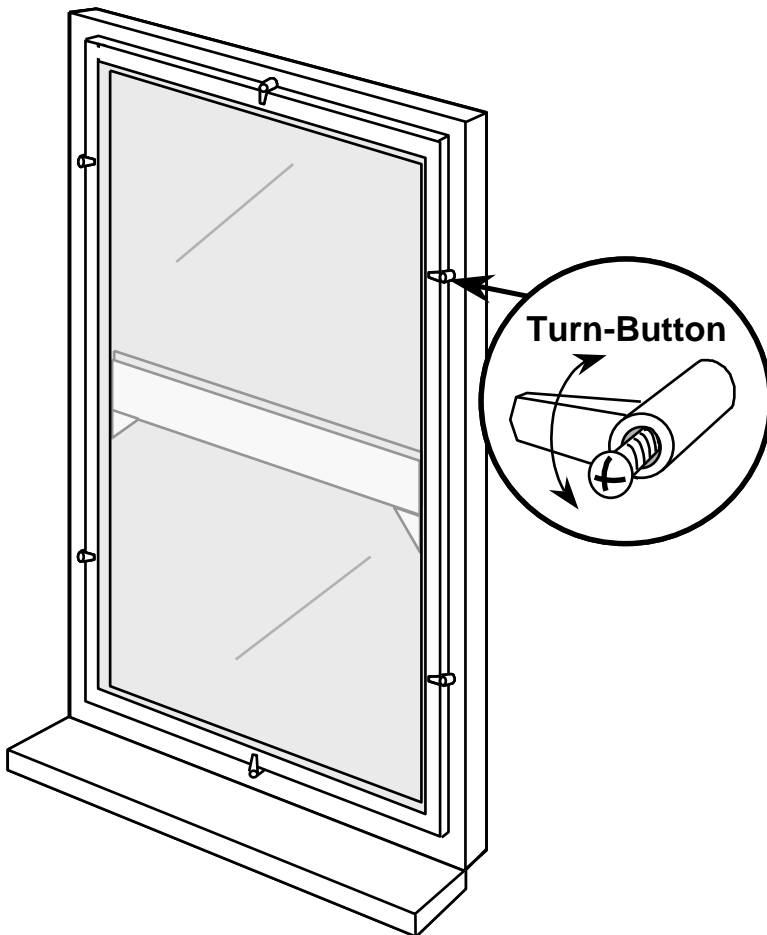
© 2002-2011 WindowScreens UK.

Fixed Fly Screen Option

For Sash, Sliding & Inward Opening Windows,
Louvres, Grilles & Vents

To screen one of the above, use any
Framed Screen for Windows (pages 4, 5 and 6)
with the turn button fixing.

Typical sash window with fly
Screen - viewed from the outside



Ideal for sash windows
which are often screened
on the outside due to the
inside handles.

- Turn-Buttons hold the fly screen in place
- Screens remove and go back on in seconds
- **Weatherproof** - for inside and outside use
- May also be attached with just the screws through the screen frame
- Please note: The screen frame is 19mm (3/4") wide and you need to allow an extra 12mm (1/2") all round for the Turn-Buttons

To order just select the **T** – Turn Button Fixing when ordering your kit

FREQUENTLY ASKED QUESTIONS (FAQ)

Do my kit frame pieces need to be cut to size?

Yes. The instructions with all kits show you how to easily measure and cut the pieces to the unique dimensions you need. We even supply a free jig with all door and all heavier duty window flyscreen kits for easy cutting of the corners.

Can the screens be used in conservatories?

Yes. Our window and door flyscreens are ideal for conservatories. The slim-line window flyscreens are less than 12mm (1/2") thick and can fit behind most blinds.

Are flyscreens a problem for homes with pets? The fibreglass mesh we use in our flyscreens is the standard in millions of homes throughout the world, many of which have pets. We also offer a very high strength polyester **PET MESH** - See PetMesh catalogue page. We also offer a PetFlap (Pet door) provision for our 009 door kit.

Will flyscreens damage my window frames in any way? Unlike other window flyscreens on the market, our standard Hinged and 100% Magnetic Residential flyscreens require no screws, drilling or metal hardware of any kind. Our Residential flyscreen hinges and magnetic closures are adhesive coated with paper peel-off backing. Our Fixed with Turn-Buttons flyscreens do use screws.

Will the flyscreens block the light?

No. You will not notice any blocking of light whatsoever with standard mesh. Pet mesh will block the light a little due to its heavier weave and darker colour, plus provide a little shade as a bonus.

Can the standard mesh flyscreens be seen from the outside?

They are virtually invisible, even close up. Even from the inside they are very hard to see.

Can I remove the flyscreens if I want to?

Yes. All window, roof vent, French Doors and Entry door flyscreens can be removed and re-installed in seconds. The sliding flyscreens for doors require removal of 2-3 screws first.

Can the mesh be repaired easily?

Yes. Rolls of DIY replacement mesh are available. See the Residential Kits Order Form. Use the tool that came in your flyscreen kit. In normal use, the mesh should last many years.

What is the mesh made of?

Woven fibreglass coated with PVC. All suppliers use exactly the same mesh regardless of their flyscreen prices. PetMesh (Polyester Mesh - 7 times stronger than fibreglass) is a very strong weave coated with PVC.

Can I install window flyscreens if I have "rod and peg" (stays) style windows?

Yes. A simple modification is required to the rod. Instructions come with kits. See page on Rod & Peg (Stays)

Is the handle a problem when the window is shut?

Not a problem. The flyscreen just rests lightly on the handle. For most rod & peg windows the screen shuts fully.

Will insects get through tiny gaps?

Almost all insects such as flies, wasps, bees, ladybirds, moths, mosquitoes, daddy-long-legs are far too big. Typically, they encounter the flyscreen and quickly depart. Midges require a special mesh.

Will your flyscreens protect against Midges?

Standard fibreglass mesh will not, but all of our kits are offered with a special midge mesh option to deal with this particular problem

Will the residential window flyscreen hinges last?

Yes. Our hinges are virtually indestructible even after thousands of openings and closings.

Do flyscreens require cleaning?

In normal use flyscreens do not accumulate dirt or insects. An occasional flick with a duster, and a very gentle wipe of the mesh with a damp cloth once in a while is all that is needed. The frames can be wiped with a soft damp cloth and mild cleaner. Our Commercial fly screens in food areas can be removed for cleaning per Gov. Regs.

Can Residential flyscreens be installed on the outside?

Yes, if your window or door style permits. The flyscreen frame and mesh are designed to tolerate all weather conditions. However, not all fixings are suitable for outside use. Check the Fixings section in the product helper on our web site for more information.

Won't sliding door flyscreens hit the patio door handle?

Some sliding patio/conservatory door handles and fixed panes protrude beyond the frame surrounding the door. Our kit includes full instructions for adding a simple sub-frame for clearance.

Is there a gap down the middle of the French flyscreen doors? Yes, a clearance gap is needed for closure, but is closed by a flexible seal attached to the doors.

Can the window flyscreens be used on roof vents?

Yes. Please check our Roof Vent catalogue page to determine whether your vent and opening appear suitable for our flyscreens. Roof vent flyscreens have high strength polyester mesh as standard for resistance to debris, birds, rodents.

Terms and Conditions

Pricing

All items are fully priced, and **INCLUDE VAT and FREE DELIVERY** to mainland UK (excluding Highlands & Islands*).

Orders

Please ensure all measurements for Pre-Made, Pre-Cut and Retractable options are accurate, as Window Screens UK cannot be held responsible for screens that do not fit due to incorrect measurements.

We typically ship orders within 3 working days for payment by Debit or Credit Card, or 5 working days for cheques, subject to cheque clearance.

Orders are generally despatched by courier and delivered next day to all UK mainland locations (2 days for Highlands & Islands*).

We only ship what you order. We do not substitute other merchandise. We do continuously improve our products and may make occasional changes without notice.

Delivery to the remainder of the UK

We can deliver to the remainder of the UK for an additional charge. Please contact us for a price. We will always aim to find the most cost effective method of shipment for your specific order.

Returns

We want you to be happy with your purchase. We are pleased that requests to return goods have been extremely low over many years of business, however we recognise there will be some occasions when a consumer may wish to return goods.

Consumers may cancel their order up to seven working days after receipt of the merchandise, but must notify us in writing within this time frame of their wish to return the goods.

Returned goods must be in pristine condition. If goods are not in a pristine condition, Window Screens UK reserves the right to offer a discretionary partial credit or to refuse the return.

Cancelled orders must be returned at the customer's expense. You are strongly urged to insure your return with the carrier as any damage in transit may result in either a partial credit being offered or refusal of the return. You will be notified of any damage, be it from transit or otherwise caused.

Undamaged, unused merchandise returned in accordance with the above will receive a full and prompt refund of money paid.

If your order is received damaged please indicate this when you sign for the goods, retain the packaging for inspection and notify us accordingly within 24 hours.

Please note that bespoke goods, customised at the consumer's request to specific sizes, cannot be cancelled, except at the discretion of Window Screens UK.

Guarantees

Where guarantees are extended on our website or in the catalogue, they relate to the metal parts themselves. The guarantee does not cover paint, abuse or damage.

Privacy

We do not reveal or otherwise share your name, telephone number, address or email address with other parties unless required for the delivery of your order. We do not retain your credit or Debit Card details within

* Highlands and Islands of Scotland, Isle of Man, Northern Ireland, Channel Islands